



Delta ARD4 User Guide

Auxiliary Relay

RMS Mors Smitt

Advanced Protection Devices



User Guide

Delta ARD4 User Guide

About This Manual

This User Guide covers all Delta ARD4 relays manufactured from January 2025. Earlier relays do not necessarily incorporate all the features described. Our policy of continuous development means that extra features & functionality may have been added.

The Delta ARD4 User Guide is designed as a generic document to describe the common operating parameters for all relays built on this platform.

The copyright and other intellectual property rights in this document, and in any model or article produced from it (and including any registered or unregistered design rights) are the property of RMS Mors Smitt. No part of this document shall be reproduced or modified or stored in another form, in any data retrieval system, without the permission of RMS Mors Smitt, nor shall any model or article be reproduced from this document without consent from RMS Mors Smitt.

While the information and guidance given in this document is believed to be correct, no liability shall be accepted for any loss or damage caused by any error or omission, whether such error or omission is the result of negligence or any other cause. Any and all such liability is disclaimed.

Contact Us

RMS Mors Smitt

19 Southern Court • Keysborough 3173 • AUSTRALIA

Phone +61 3 8544 1200

Email sales.rms@wabtec.com • Web <http://www.morssmitt.com/rms>

Contents

Contents	3
Documentation.....	5
Technical Bulletin	5
User Guide	5
Introduction.....	6
Scheme Wiring.....	6
Delta ARD4-1 Self-Reset Contacts Connection diagram.....	6
Delta ARD4-4 Hand and Electrical Reset Contacts Connection diagram.....	6
ARD4-1 Example Schematic – Typical Trip Application	7
ARD4-4 Example Schematic – Typical Trip Application	8
Mounting and Relay Dimensions.....	9
Surface or Din Rail Mount Using Front Connect Relay Base (TBD-F Terminal Block).....	9
Surface Mount Using Rear Connect Relay Base (TBD-R1 Terminal Block).....	10
Flush Panel Mount Using Rear Connect Relay Base and Retention Plates (TBD-R2 Terminal Block) ...	11
Rear Connect Relay Base Insertion for Flush Panel Mounting.....	12
IP2X Terminal Options	13
Surface or Din Rail Mount Using Front Connect Relay Base (TBD-F-IP2X Terminal Block)	13
Surface Mount Using Rear Connect Relay Base (TBD-R1-IP2X Terminal Block).....	13
Flush Panel Mount Using Rear Connect Relay Base and without Retention Plates (TBD-R1-IP2X Terminal Block).....	14
Flush Panel Mount Using Rear Connect Relay Base and Retention Plates (TBD-R2-IP2X Terminal Block)	14
Delta ARD4 Indications	15
Front Layout	15
Operate Coil P/U LED	15
Hand Reset Flag and Reset Slide Button	15
Commissioning.....	16
Commissioning Preliminaries	16
Site Commissioning Verification Checklist	17
Preliminary Checks.....	17
Operate/Reset Operation	17
Protection Scheme Confirmation	19
Installation.....	20
Handling of Electronic Equipment	20
Safety Section	21
Explanation of Symbols & Labels.....	21
Unpacking.....	22
Terminal Block Accessories	24
Storage & Handling	26
Equipment Operating Conditions	27
Equipment Connections	27
External Resistors	27
Insulation & Dielectric Strength Testing	27
Insertion of Modules	27
Mechanical Adjustments	27
Draw Out Case Relays.....	28
Commissioning Preliminaries	28

Maintenance 29

- Mechanical Inspection29
- Test Intervals29
- Defect Report Form30

Documentation

Technical Bulletin

The detailed technical attributes, functional description & performance specifications for the Delta ARD4 are described in the product Technical Bulletin.

The order of precedence for product information is as follows:

- Technical Bulletin
- User Guide

User Guide

This User Guide covers all Delta ARD4 relay versions & describes the generic features & attributes common across all versions.

Introduction

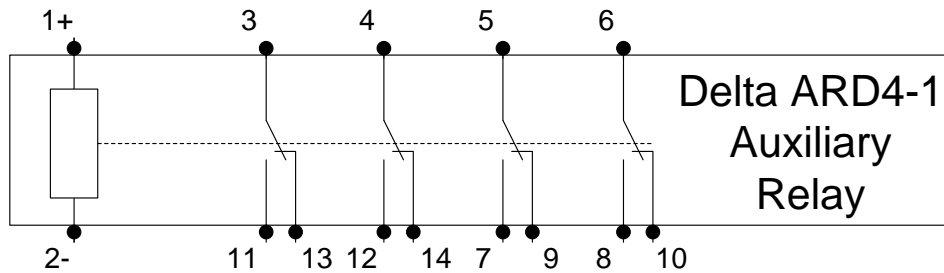
The Delta ARD4 relay is a compact Auxiliary relay with 4 heavy duty contacts.

The Delta ARD4 is fitted with a hand reset flag and is available with either self resetting or latched contacts.

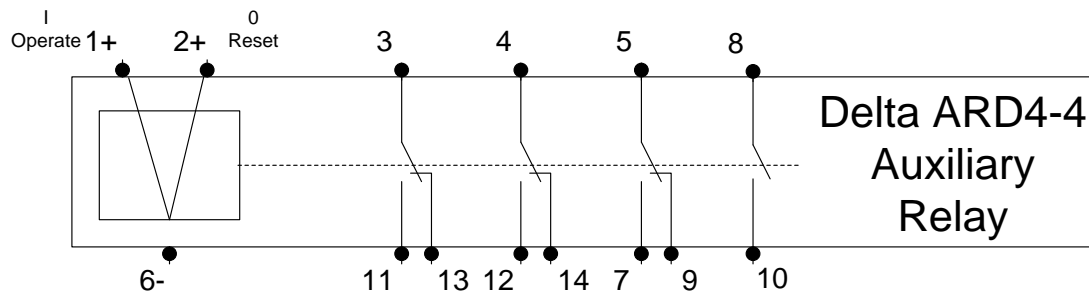
The Latched contact Delta ARD4 may be reset either by hand or electrically.

Scheme Wiring

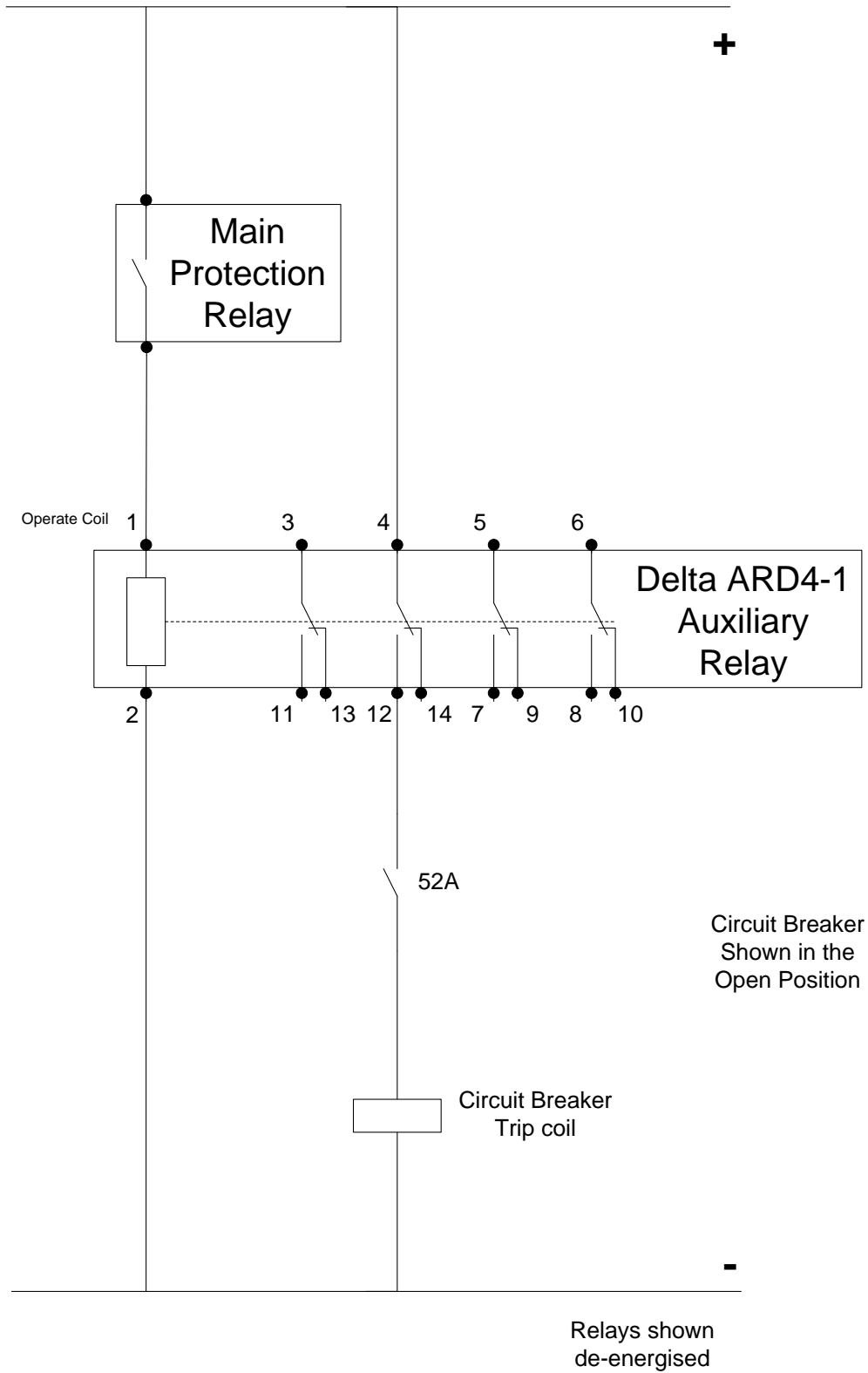
Delta ARD4-1 Self-Reset Contacts Connection diagram



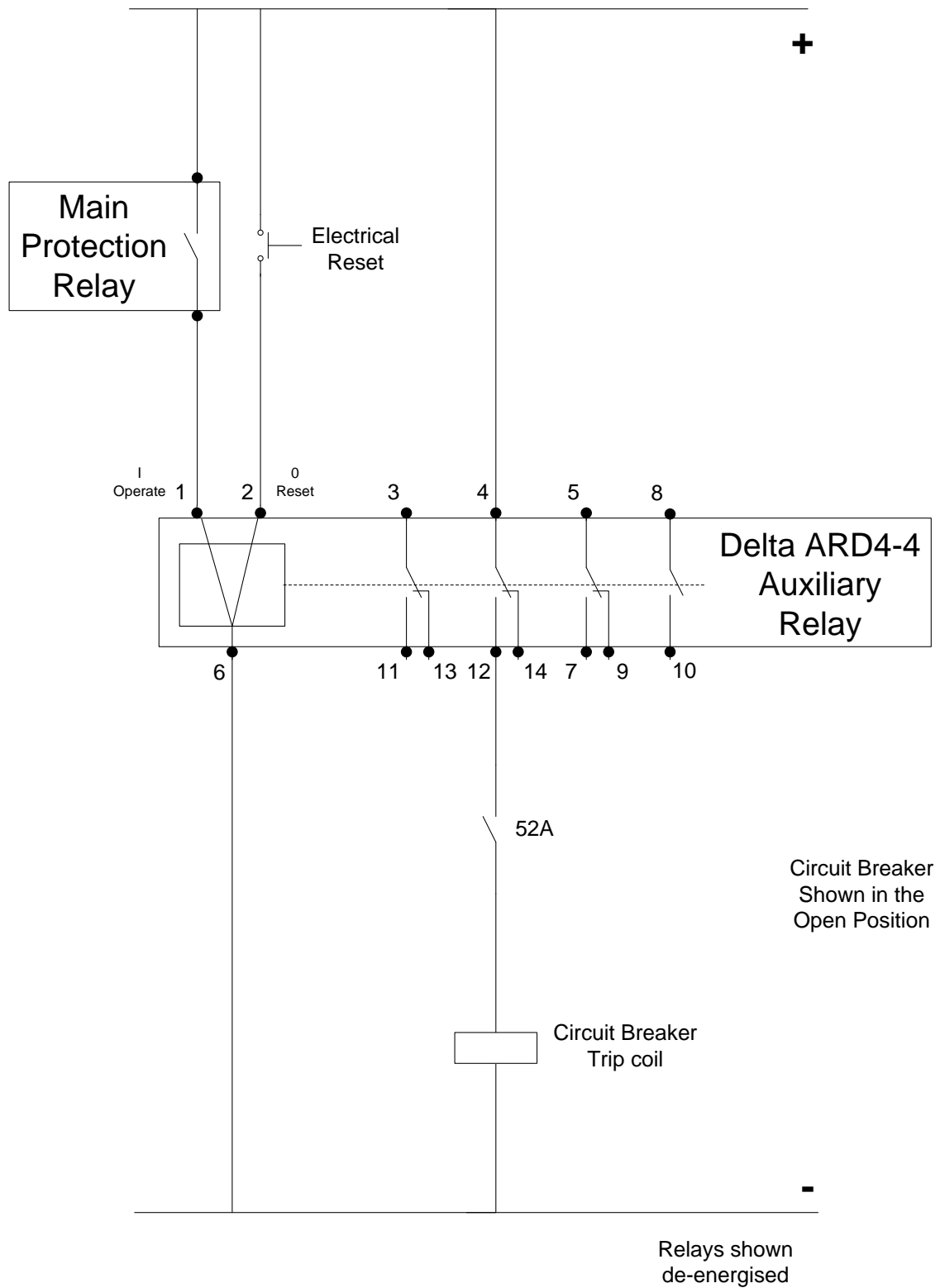
Delta ARD4-4 Hand and Electrical Reset Contacts Connection diagram



ARD4-1 Example Schematic – Typical Trip Application

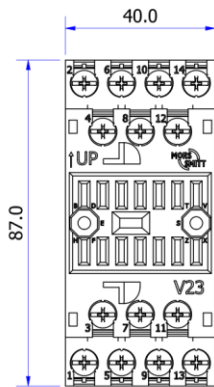


ARD4-4 Example Schematic – Typical Trip Application

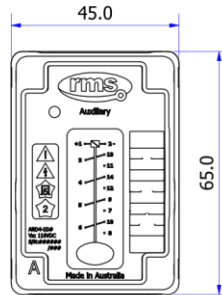


Mounting and Relay Dimensions

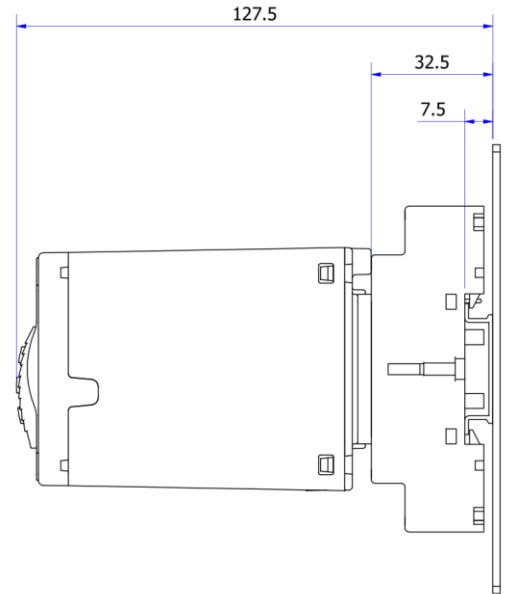
Surface or Din Rail Mount Using Front Connect Relay Base (TBD-F Terminal Block)



Front View Relay Base



Front View



Side View

Surface Mount Using Rear Connect Relay Base (TBD-R1 Terminal Block)

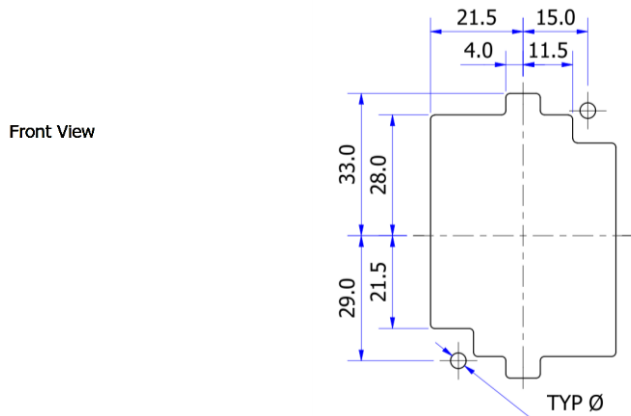
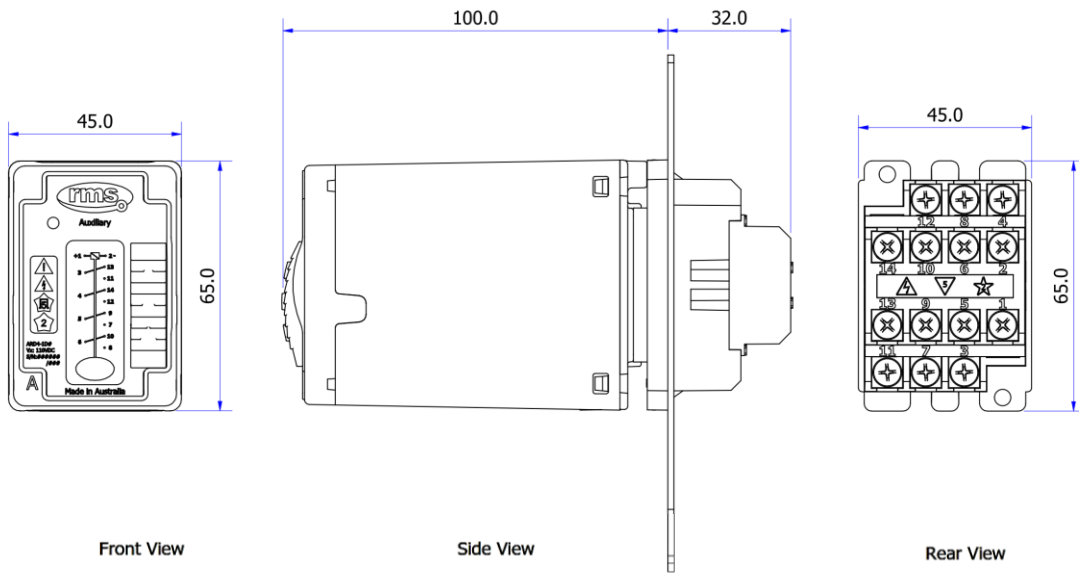


TABLE 1 - HOLE DIA	
PANEL THICKNESS (T)	HOLE DIA (Ø)
1mm < T < 2mm	3.6mm
T > 2mm	3.7mm

Panel Cutout

Flush Panel Mount Using Rear Connect Relay Base and Retention Plates (TBD-R2 Terminal Block)

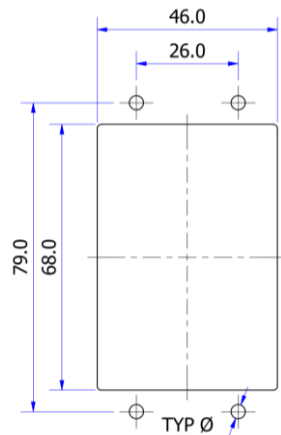
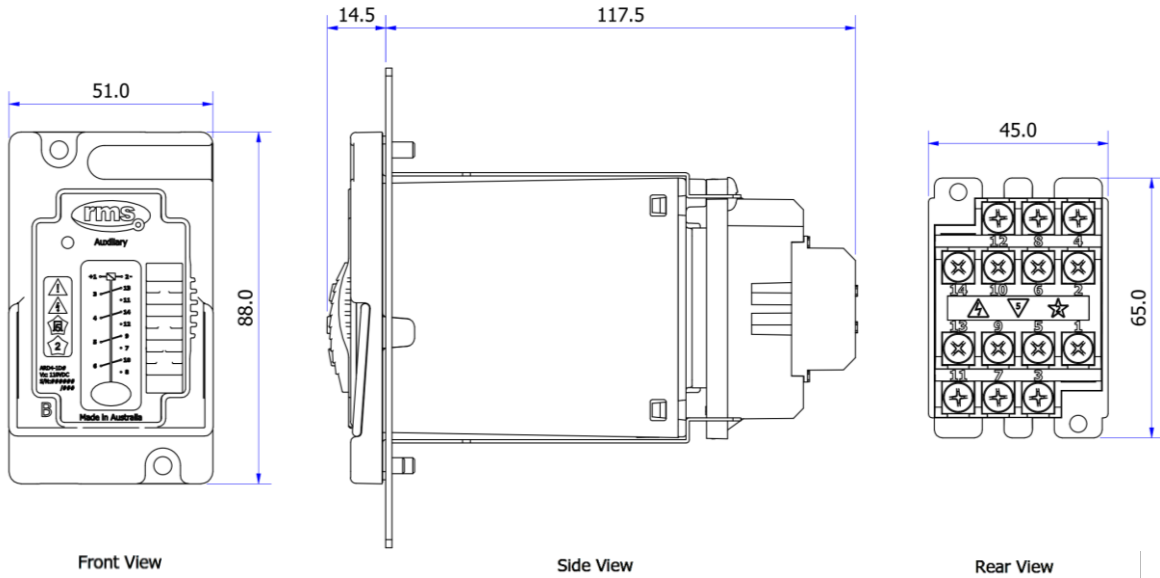
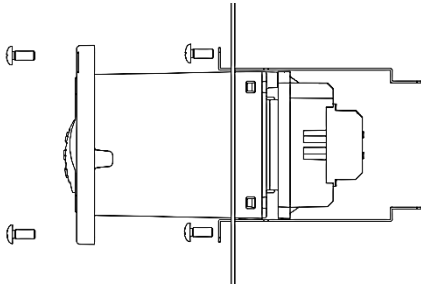


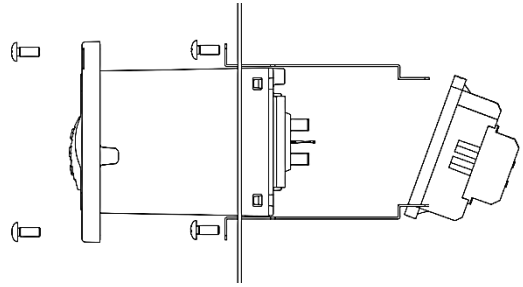
TABLE 1 - HOLE DIA	
PANEL THICKNESS (T)	HOLE DIA (Ø)
1mm < T < 2mm	3.6mm
T > 2mm	3.7mm

Panel Cutout

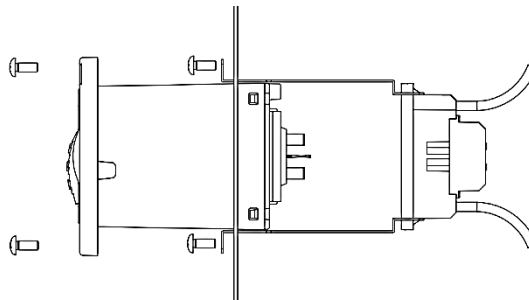
Rear Connect Relay Base Insertion for Flush Panel Mounting



Insertion of relay and base for capturing relay base into retention plates



Alternative method for capturing relay base into retention plates



Retention of relay base when relay is removed

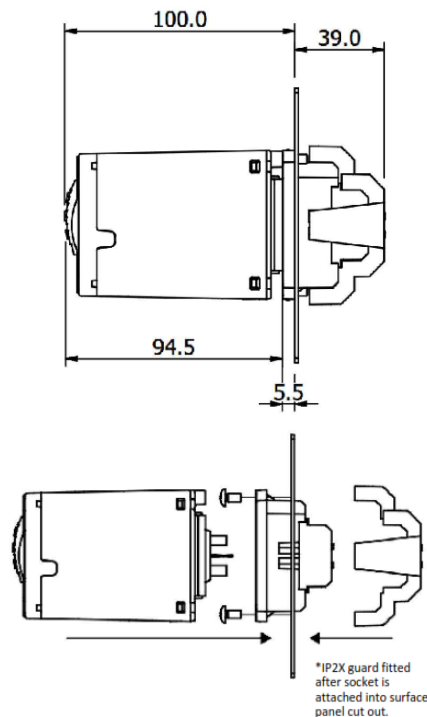
IP2X Terminal Options

Optional terminal blocks are now available that achieve IP2X ingress protection, details of the optional terminal blocks are provided in the following sections.

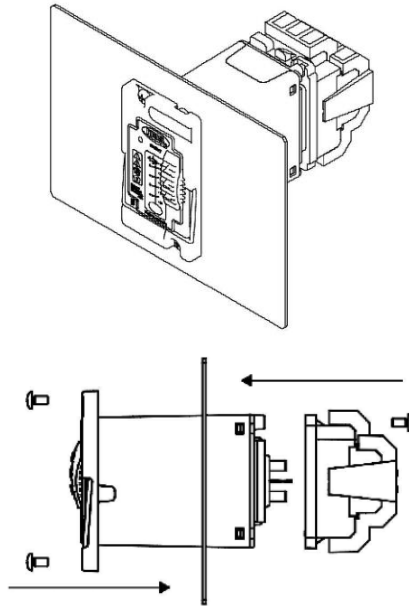
Surface or Din Rail Mount Using Front Connect Relay Base (TBD-F-IP2X Terminal Block)



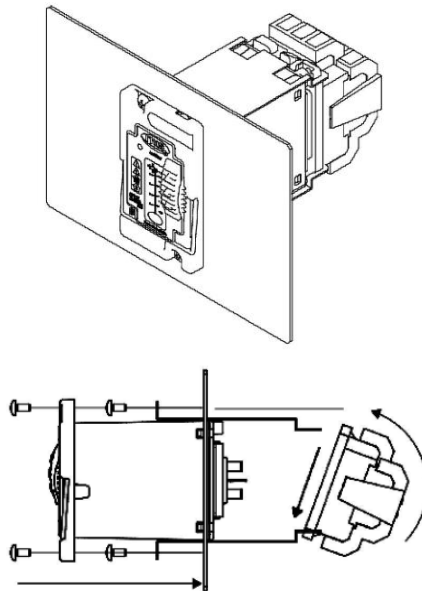
Surface Mount Using Rear Connect Relay Base (TBD-R1-IP2X Terminal Block)



Flush Panel Mount Using Rear Connect Relay Base and without Retention Plates (TBD-R1-IP2X Terminal Block)



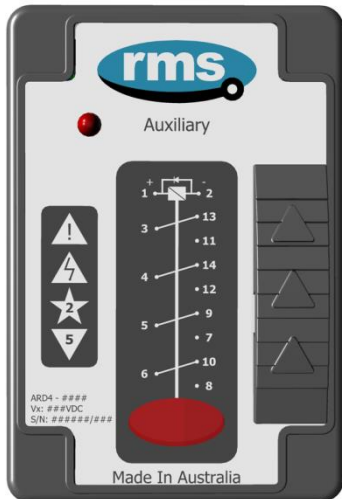
Flush Panel Mount Using Rear Connect Relay Base and Retention Plates (TBD-R2-IP2X Terminal Block)



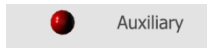
Delta ARD4 Indications

Front Layout

The figure below depicts the indications and the reset push buttons on the front of the relay.



Operate Coil P/U LED



The P/U Led illuminates when a pickup voltage is applied to the relay coil.

Hand Reset Flag and Reset Slide Button



The hand reset flag operates when the contacts first operate and remains visible until it is hand reset using the reset slide push button.

On latching relays the reset slide also resets latched contacts.

The electrical reset will reset latched contacts but does not reset the flag.

Commissioning

Commissioning Preliminaries

Carefully examine the module to ensure that no damage has occurred during transit. Check that the model number and rating information are correct.

Insulation

The relay, and its associated wiring, may be insulation tested between:

- all electrically isolated circuits
- all circuits and earth

An electronic or brushless insulation tester should be used, having a dc voltage not exceeding 1000V. Accessible terminals of the same circuit should first be strapped together. Deliberate circuit earthing links, removed for the tests, subsequently must be replaced.

Injection Testing

Testing of relay function may be undertaken using a secondary test set injecting directly into the relay operate coil or alternatively as part of a complete protection scheme tested in conjunction with the main protection relays.

Site Commissioning Verification Checklist

Observe all site specific standard safety procedures.

The following tests are undertaken following the completion of all Delta ARD4 relay wiring.

Preliminary Checks

Item	Description	Complete
1	Confirm all necessary primary equipment isolations	
2	Confirm all necessary secondary equipment isolations (including trip outputs)	
3	Check installation of the Delta ARD4 relay	
4	Check the Delta ARD4 relay base is wired to the protection design schematic	
5	Plug the relay into the relay base and ensure that the relay is firmly in place in the base	
6	On latched contact models confirm that the latched contacts are able to be reset using the reset slide button. Confirm that the mechanical flag is also able to be reset	
7	In the non operate state confirm the normally open and normally closed contact states against the relevant relay connection diagram using a suitable continuity tester	

Operate/Reset Operation

Item	Description	Complete
1	With the relay inserted into its base ensure contacts are reset and the mechanical flag is in the reset position	
2	On ARD4-1 relays the operate circuit is terminated to relay base terminals 1(+) and 2(-) On ARD4-4 relays the operate circuit is terminated to relay base terminals 1(+) and 6(-)	
3	On ARD4-4 relays the electrical reset circuit is terminated to relay base terminals 2(+) and 6(-)	
4	Isolate external wiring from the terminals noted in items 2 and 3 to allow application of the test supply	

Item	Description	Complete
5	<p>Check for operation of the operate circuit by energising the relay with 100% of the nominal supply voltage</p> <p>The test voltage is to be applied as a step</p> <p>The relays should switch cleanly with one movement</p> <p>Confirm that the Operate Coil P/U Led illuminates during the application of test voltage to the relay</p> <p>Confirm that the flag drops to provide a visual indication of relay operation</p> <p>Confirm the operate time of the contacts is in accordance with the claimed operate time in the Technical Bulletin</p>	
6	<p>With the relay in the operate state check the continuity of the closed contacts with a suitable continuity tester</p>	
7	<p>Remove the operate circuit test supply</p>	
8	<p>On latching relays confirm that the contact state has not changed on removal of voltage from the operate circuit with a suitable continuity tester</p> <p>Perform a manual contact reset using the slide reset button and confirm the contact state changes</p> <p>Confirm that the mechanical flag resets upon operation of the slide reset button</p>	
9	<p>On relays fitted with an electrical reset circuit, repeat step 5 through to 7</p> <p>Ensure that the operate circuit test supply is removed</p> <p>Check for operation of the reset circuit by energising the reset input with 100% of the nominal supply voltage</p> <p>The test voltage is to be applied as a step and the relays should reset cleanly with one movement</p> <p>Confirm the contact state change with a suitable continuity tester</p> <p>Reset the mechanical flag using the slide reset button</p>	
10	<p>Restore any external wiring connections that may have been isolated during the above tests</p>	

Protection Scheme Confirmation

Item	Description	Complete
1	With the Trip relay connected in the tripping scheme perform a trip check of the main protection relay	
2	<p>Confirm intended operation of the Trip relay upon operation of the main protection relay</p> <p>Confirm that the flag drops to provide a visual indication of relay operation</p>	
3	<p>Ensure that the operate circuit test supply is removed</p> <p>On latching relays perform a manual contact reset and confirm the contact state change with a suitable continuity tester</p> <p>Confirm that the mechanical flag resets upon operation of the slide reset button</p>	
4	<p>On relays fitted with an electrical reset circuit, repeat steps 1 through to 2</p> <p>Ensure that the operate circuit test supply is removed</p> <p>Check operation of the reset circuit by performing an electrical reset</p> <p>Confirm the contact state change with a suitable continuity tester</p> <p>Reset the mechanical flag using the slide reset button</p>	

Installation

Handling of Electronic Equipment

A person's normal movements can easily generate electrostatic potentials of several thousand volts. Discharge of these voltages into semiconductor devices when handling electronic circuits can cause serious damage, which often may not be immediately apparent but the reliability of the circuit will have been reduced.

The electronic circuits of Relay Monitoring Systems Pty Ltd products are immune to the relevant levels of electrostatic discharge when housed in the case. Do not expose them to the risk of damage by withdrawing modules unnecessarily.

Each module incorporates the highest practicable protection for its semiconductor devices. However, if it becomes necessary to withdraw a module, the following precautions should be taken to preserve the high reliability and long life for which the equipment has been designed and manufactured.

1. Before removing a module, ensure that you are at the same electrostatic potential as the equipment by touching the case.
2. Handle the module by its front-plate, frame, or edges of the printed circuit board.
3. Avoid touching the electronic components, printed circuit track or connectors.
4. Do not pass the module to any person without first ensuring that you are both at the same electrostatic potential. Shaking hands achieves equipotential.
5. Place the module on an antistatic surface, or on a conducting surface which is at the same potential as you.
6. Store or transport the module in a conductive bag.

If you are making measurements on the internal electronic circuitry of equipment in service, it is preferable that you are earthed to the case with a conductive wrist strap.

Wrist straps should have a resistance to ground between 500k – 10M ohms. If a wrist strap is not available, you should maintain regular contact with the case to prevent the build-up of static.

Instrumentation which may be used for making measurements should be earthed to the case whenever possible.

Safety Section

This Safety Section should be read before commencing any work on the equipment.

The information in the Safety Section of the product documentation is intended to ensure that products are properly installed and handled in order to maintain them in a safe condition. It is assumed that everyone who will be associated with the equipment will be familiar with the contents of the Safety Section.

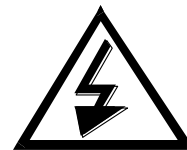
Explanation of Symbols & Labels

The meaning of symbols and labels which may be used on the equipment or in the product documentation is given below.

Caution: refer to product information

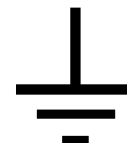


Caution: risk of electric shock



Functional earth terminal

Note: this symbol may also be used for a Protective/safety earth terminal if that terminal is part of a terminal block or sub-assembly eg. power supply.



Unpacking

Upon receipt inspect the outer shipping carton or pallet for obvious damage.

Remove the individually packaged relays and inspect the cartons for obvious damage.

To prevent the possible ingress of dirt the carton should not be opened until the relay is to be used. Refer to the following images for unpacking the relay:



Outer packing carton showing the shipping documentation pouch.
Address label on top of carton.



Example of the inner packing carton of 10 relays showing the front label detailing the serial number range, the relay part number & description.



Example of a single relay package showing the label detailing the serial number, relay part number & description.



Inner packing carton with lid open showing protective insert and relay.



Unpacked relay showing reset button transit retention tape.

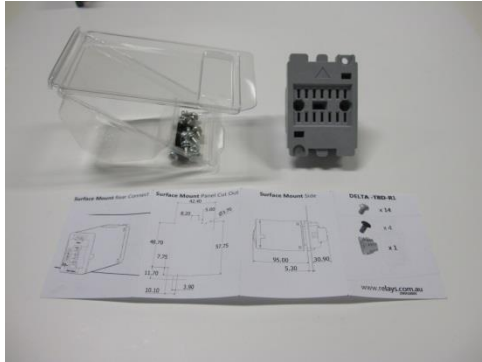


Unpacked relay ready for installation – the reset button transit retention tape must be removed before use.

Terminal Block Accessories



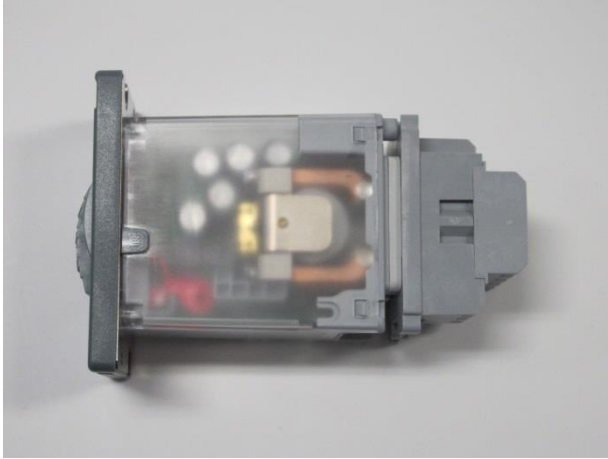
TDB-F Terminal Block
For wall or DIN rail mounting
complete with terminal screws



TDB-R1 Terminal Block kit
For projection, flush panel or rack mounting
complete with terminal screws and base
fixing screws



TDB-R2 Terminal Block kit
For flush panel or rack mounting
complete with terminal block retention
plates, terminal screws and relay fixing
screws



Relay plugged into a terminal block



Relay partially removed from terminal block

Storage & Handling

If damage has been sustained a claim should immediately be made against the carrier, also inform Relay Monitoring Systems Pty Ltd and the nearest RMS agent

When not required for immediate use, the relay should be returned to its original carton and stored in a clean, dry place.

Relays which have been removed from their cases should not be left in situations where they are exposed to dust or damp. This particularly applies to installations which are being carried out at the same time as constructional work.

If relays are not installed immediately upon receipt they should be stored in a place free from dust and moisture in their original cartons.

Dust which collects on a carton may, on subsequent unpacking, find its way into the relay; in damp conditions the carton and packing may become impregnated with moisture and the de-humidifying agent will lose its efficiency.

Equipment Operating Conditions

The equipment should be operated within the specified electrical and environmental limits.

Protective relays, although generally of robust construction, require careful treatment prior to installation and a wise selection of site. By observing a few simple rules the possibility of premature failure is eliminated and a high degree of performance can be expected.

Care must be taken when unpacking and installing the relays so that none of the parts are damaged or their settings altered and must at all times be handled by skilled persons only.

Relays should be examined for any wedges, clamps, or rubber bands necessary to secure moving parts to prevent damage during transit and these should be removed after installation and before commissioning.

The relay should be mounted on the circuit breaker or panel to allow the operator the best access to the relay functions.

Equipment Connections

Personnel undertaking installation, commissioning or servicing work on this equipment should be aware of the correct working procedures to ensure safety. The product documentation should be consulted before installing, commissioning or servicing the equipment.

Terminals exposed during installation, commissioning and maintenance may present hazardous voltage unless the equipment is electrically isolated.

If there is unlocked access to the rear of the equipment, care should be taken by all personnel to avoid electric shock or energy hazards.

Voltage and current connections should be made using insulated crimp terminations to ensure that terminal block insulation requirements are maintained for safety. To ensure that wires are correctly terminated, the correct crimp terminal and tool for the wire size should be used.

Before energising the equipment, the following should be checked:

1. Voltage rating and polarity;
2. Protective fuse rating;

External Resistors

Where external resistors are fitted to relays, these may present a risk of electric shock or burns, if touched.

Insulation & Dielectric Strength Testing

Insulation testing may leave capacitors charged up to a hazardous voltage. At the end of each part of the test, the voltage should be gradually reduced to zero, to discharge capacitors, before the test leads are disconnected.

Insertion of Modules

These must not be inserted into or withdrawn from equipment whilst it is energised, since this may result in damage.

Mechanical Adjustments

The electrical power to the relay contacts should be removed before checking any mechanical settings, to avoid any risk of electric shock.

Draw Out Case Relays

Removal of the cover on equipment incorporating electromechanical operating elements may expose hazardous live parts such as relay contacts.

Commissioning Preliminaries

Carefully examine the module and case to see that no damage has occurred during transit. Check that the relay serial number on the module, case and cover are identical, and that the model number and rating information are correct.

Check that the external wiring is correct to the relevant relay diagram or scheme diagram. The relay diagram number appears inside the case.

Note that shorting switches shown on the relay diagram are fitted internally across the relevant case terminals and close when the module is withdrawn. It is essential that such switches are fitted across all CT circuits.

Insulation

The relay, and its associated wiring, may be insulation tested between:

- all electrically isolated circuits
- all circuits and earth

An electronic or brushless insulation tester should be used, having a dc voltage not exceeding 1000V. Accessible terminals of the same circuit should first be strapped together. Deliberate circuit earthing links, removed for the tests, subsequently must be replaced.

Commissioning Tests

If the relay is wired through a test block it is recommended that all secondary injection tests should be carried out using this block.

Ensure that the main system current transformers are shorted before isolating the relay from the current transformers in preparation for secondary injection tests.

DANGER

DO NOT OPEN CIRCUIT THE SECONDARY CIRCUIT OF A CURRENT TRANSFORMER SINCE THE HIGH VOLTAGE PRODUCED MAY BE LETHAL AND COULD DAMAGE INSULATION.

It is assumed that the initial preliminary checks have been carried out.

Relay CT shorting

Check electrically that the CT is shorted before isolating CT secondaries.

Primary injection testings

It is essential that primary injection testing is carried out to prove the correct polarity of current transformers.

Before commencing any primary injection testing it is essential to ensure that the circuit is dead, isolated from the remainder of the system and that only those earth connections associated with the primary test equipment are in position.

Decommissioning & Disposal

Decommissioning: The auxiliary supply circuit in the relay may include capacitors across the supply or to earth. To avoid electric shock or energy hazards, after completely isolating the supplies to the relay (both poles of any dc supply), the capacitors should be safely discharged via the external terminals prior to decommissioning.

Disposal: It is recommended that incineration and disposal to water courses is avoided. The product should be disposed of in a safe manner.

Maintenance

Mechanical Inspection

Relay Assembly

Inspect the relay for obvious signs of damage or ingress of moisture or other contamination.

Relay Module

Isolate the relay, remove any securing screws where fitted and unplug the relay from the terminal base.

Inspect the relay for signs of any overheating or burn marks which may have been caused by overvoltage surge or transient conditions on the power supply.

Test Intervals

The maintenance tests required will largely depend upon experience and site conditions, but as a general rule it is recommended that the following inspection and tests are performed every twelve months.

- ◆ Mechanical Inspection
- ◆ Check of Connections
- ◆ Insulation Resistance Test

Defect Report Form

Please copy this sheet and use it to report any defect which may occur.

Customers Name & Address:	Contact Name:
	Telephone No:
	Fax No:
Supplied by:	Date when installed:
Site:	Circuit:

When Defect Found

Date:	Commissioning?	Maintenance?	Systems Fault?	Other, Please State:
Product Part No:			Serial Number:	
Copy any message displayed by the relay:				
Describe Defect:				
Describe any other action taken:				
Signature:		Please Print Name:		Date:

For RMS use only

Date Received:	Contact Name:	Reference No:	Date Acknowledged:	Date of Reply:	Date Cleared:
----------------	---------------	---------------	--------------------	----------------	---------------