

# XT-17M-S relay - Delay-on star / delta,

## Datasheet

# 2 C/O, 16 A



## Description

The XT-17M-S is a delay on relay for the start up of star-delta motors. Two time settings can be made, time 1 (delta) with a choice of 10 time ranges:

0.1...1 s	1...10 s	0.1...1 min	1...10 min
0.1...1 h	1...10 h	0.1...1 d	1...10 d
3...30 d	10...100 d		

and time 2 (delay between  $\Delta$  /  $\star$ ) with a range between 0.1 s and 1 s.

The relay has a universal supply voltage 12...240 VAC/DC (50/60 Hz) and 2 change-over contacts 16 A / AC1. It has a multifunctional red LED output indicator that flashes or shines depending of the status.

## Application

Delay-on relay for motors star/delta.

### Features

- Delay-on star / delta
- 2 time settings
  - T1 (delta) 0.1 s...100 d
  - T2 (delay) 0.1 s...1 s
- 2 C/O contacts 16 A / AC1
- 35 mm rail mounting
- LED indicator red and green
- Universal supply voltage 12..240 VAC/DC
- Modular housing, 1 module

### Benefits

- Rated current 16 A / AC1
- Long term availability
- 17.6 mm wide
- No maintenance

### Industry compliancy

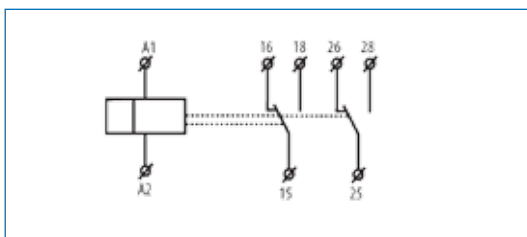
All our relays and accessories are designed according to regulations:

- EN 60255-6
- EN 61010-1
- CE

# XT-17M-S relay

## Technical specifications

### Connection diagram



### Time range

Time ranges	0.1 s...100 d
Time setting	Potentiometer
Time deviation	5 % mechanical setting
Repeat accuracy	0.2 % set value stability
Temperature coefficient	0.01 % / °C, at 20 °C

### Output

Number of contacts	2x change-over contacts /DPDT (AgNi/Silver alloy)
Rated current	16 A / AC1
Breaking capacity	4000 VA / AC1, 384 W / DC
Inrush current	30 A / < 3 s
Switching voltage	250 V AC1 / 24 V DC1
Min. breaking capacity DC	500 mW
Output indication	Red LED
Mechanical life	30 x 10 <sup>6</sup> operations
Electrical life (AC1)	7 x 10 <sup>4</sup> operations
Reset time	Max. 150 ms

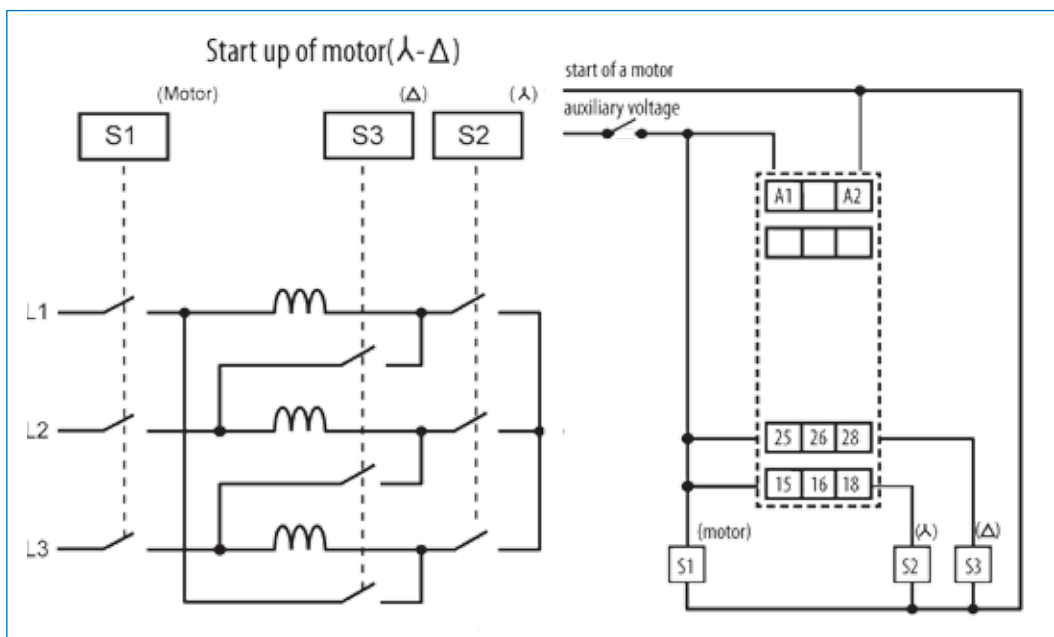
### Supply and measuring

Supply terminals	A1 - A2
Supply voltage	12...240 VAC/DC 50/60 Hz
Power consumption	AC 0.7...3.0 VA/DC 0.5...1.7 W
Supply voltage tolerance	0.85...1.1 U <sub>n</sub>
Supply indication	Green LED

# XT-17M-S relay

## Technical specifications

### Connection



### Environmental conditions

Operating temperature	-20 °C... +55 °C
Storage temperature	-30 °C... +70 °C
Electrical strength	4 kV (supply - output)
Operating position	Any
Mounting	35 mm rail EN 60715
Protection degree	IP40 front panel / IP20 terminals
Overtoltage category	III
Pollution degree	2
Max. cable size	Solid wire max. 1 x 2.5 mm <sup>2</sup> or 2 x 1.5 mm <sup>2</sup> / with sleeve max. 1 x 2.5 mm <sup>2</sup>

### Mechanical data

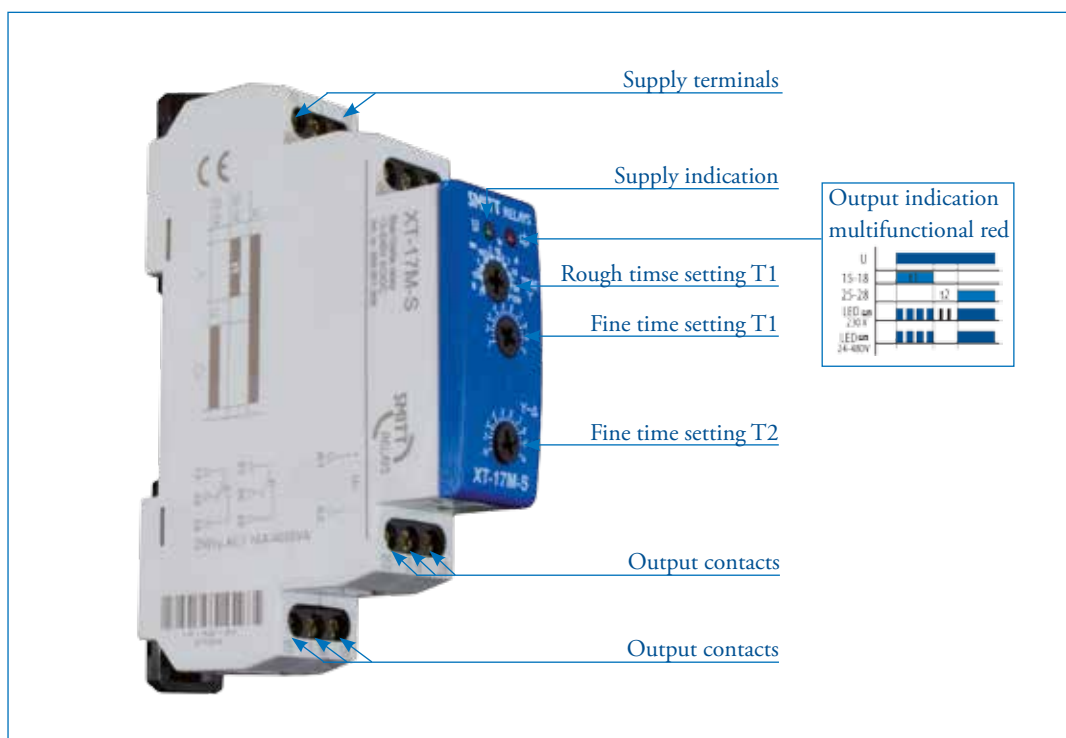
Dimensions (d x w x h)	90 x 17.6 x 64 mm
Weight	84 g
Standard	EN 61812-1, EN 61010-1



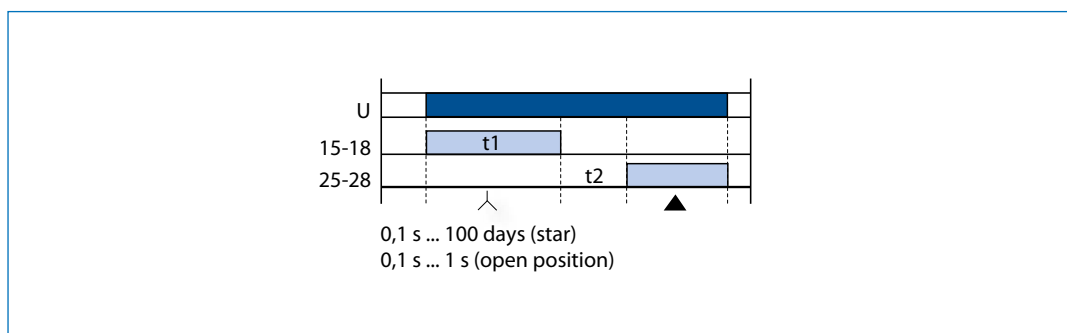
# XT-17M-S relay

## Technical specifications

### Description



### Functions



### Time ranges

	1 s	10 s	1 min	10 min	1 h	10 h
Min.	0.1 s	1 s	6 s	1 min	6 min	1 h
Max.	1 s	10 s	60 s	10 min	60 min	10 h



# XT-17M-S relay

## Ordering codes

Art. no.	Type	Time range	Function	Contacts	Voltage range
326001001	XT-17M-A1	0.1 - 1 s	Delay-on	1 C/O	12 - 240 VAC/DC, 50/60 Hz
326001009	XT-17M-A2	1 - 10 s	Delay-on	1 C/O	12 - 240 VAC/DC, 50/60 Hz
326001010	XT-17M-A3	6 - 60 s	Delay-on	1 C/O	12 - 240 VAC/DC, 50/60 Hz
326001011	XT-17M-A4	1 - 10 min	Delay-on	1 C/O	12 - 240 VAC/DC, 50/60 Hz
326001012	XT-17M-A5	6 - 60 min	Delay-on	1 C/O	12 - 240 VAC/DC, 50/60 Hz
326001013	XT-17M-A6	1 - 10 h	Delay-on	1 C/O	12 - 240 VAC/DC, 50/60 Hz
326001002	XT-17M-B1	0.1 - 1 s	Delay-off	1 C/O	12 - 240 VAC/DC, 50/60 Hz
326001014	XT-17M-B2	1 - 10 s	Delay-off	1 C/O	12 - 240 VAC/DC, 50/60 Hz
326001015	XT-17M-B3	6 - 60 s	Delay-off	1 C/O	12 - 240 VAC/DC, 50/60 Hz
326001016	XT-17M-B4	1 - 10 min	Delay-off	1 C/O	12 - 240 VAC/DC, 50/60 Hz
326001017	XT-17M-B5	6 - 60 min	Delay-off	1 C/O	12 - 240 VAC/DC, 50/60 Hz
326001018	XT-17M-B6	1 - 10 h	Delay-off	1 C/O	12 - 240 VAC/DC, 50/60 Hz
326001003	XT-17M-C1	0.1 s - 10 d	Multifunction	1 C/O	12 - 240 VAC/DC, 50/60 Hz
326001004	XT-17M-C3	0.1 s - 10 d	Multifunction	3 C/O	12 - 240 VAC/DC, 50/60 Hz
326001025	XT-17M-C1/6	0.1 s - 10 h	Multifunction	1 C/O	24 - 240 VAC, 50/60 Hz or 24 VDC
326001019	XT-17M-D	0.1 s - 10 min	Delay-on / Delay-off*	2 C/O	12 - 240 VAC/DC, 50/60 Hz
326001020	XT-17M-L	-	Latching	2 C/O	12 - 240 VAC/DC, 50/60 Hz
326001005	XT-17M-P	0.1 s - 100 d	Recycler	1 C/O	12 - 240 VAC/DC, 50/60 Hz
<b>326001006</b>	<b>XT-17M-S</b>	<b>0.1 s - 100 d</b>	<b>Star-delta</b>	<b>2 C/O</b>	<b>12 - 240 VAC/DC, 50/60 Hz</b>
326001021	XT-17M-2XA	0.1 s - 10 d	Delay-on	2x 1 C/O	12 - 240 VAC/DC, 50/60 Hz
326001026	XT-35M-DC2	Weekly	Digital time	2 C/O	12 - 240 VAC/DC, 50/60 Hz
326001028	XT-35M-DCL1	Daily - weekly	Digital twilight switch	1 C/O	230 VAC, 50/60 Hz

\* without auxiliary supply





[www.morssmitt.com](http://www.morssmitt.com)



Mors Smitt France SAS

Tour Rosny 2, Avenue du Général de Gaulle,  
F - 93118 Rosny-sous-Bois Cedex, FRANCE  
T +33 (0)1 4812 1440, F +33 (0)1 4855 9001  
E [sales@msrelais.com](mailto:sales@msrelais.com)

Mors Smitt Asia Ltd.

# 807, Billion Trade Centre, 31 Hung To Road  
Kwun Tong, Kowloon, HONG KONG SAR  
T +852 2343 5555, F +852 2343 6555  
E [info@morssmitt.hk](mailto:info@morssmitt.hk)

Mors Smitt B.V.

Vrieslantlaan 6, 3526 AA Utrecht,  
NETHERLANDS  
T +31 (0)30 288 1311, F +31 (0)30 289 8816  
E [sales.msbv@wabtec.com](mailto:sales.msbv@wabtec.com)

Mors Smitt Technologies Inc.

1010 Johnson Drive,  
Buffalo Grove, IL 60089-6918, USA  
T +1 847 777 6497, F +1 847 520 2222  
E [salesmst@wabtec.com](mailto:salesmst@wabtec.com)

Mors Smitt UK Ltd.

Doulton Road, Cradley Heath  
West Midlands, B64 5QB, UK  
T +44 (0)1384 567 755, F +44 (0)1384 567 710  
E [sales.msuk@wabtec.com](mailto:sales.msuk@wabtec.com)